



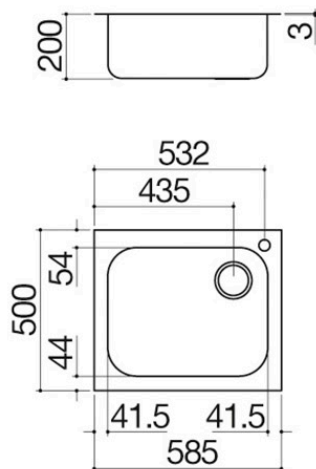
# 58.5x50 cm Select built-in sink

## 1 bowl

1IS6060/1

### Description

- extra-thick AISI 304
- stainless steel
- 50x40x20 h bowl
- equipment: 3½" basket strainer
- waste, perimeter overflow
- tap hole: 1 standard hole
- base unit for bowls: 60
- 56x48 cm cut out





# Plus

## Detailed Features



AISI 304 stainless steel

Barazza products are made of high-quality AISI 304 stainless steel, which guarantees resistance to stress, long-lasting durability and ease of cleaning.



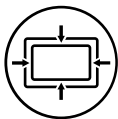
Extra-thick AISI 304 stainless steel

Barazza uses thick AISI 304 stainless steel, which is fully recyclable, corrosion-resistant, durable and highly hygienic.



Deep bowls

Products with this plus feature large, deep bowls capable of accommodating high volumes of water and large cookware.



Perimeter overflow

All Barazza sinks and bowls are equipped with an overflow device that prevents water from spilling. Some versions feature a perimeter overflow, with an exclusive and refined design. Smart pop-up waste.



# Installations

## Installation Method



Lowered edge built-in



The edge finishes with an angled fold.



## Related Accessories



1CPI

## Related Products



1IS6060



1IS9060/1D



1IS9060/1S



1IS9060/2



1IS12060/2D