



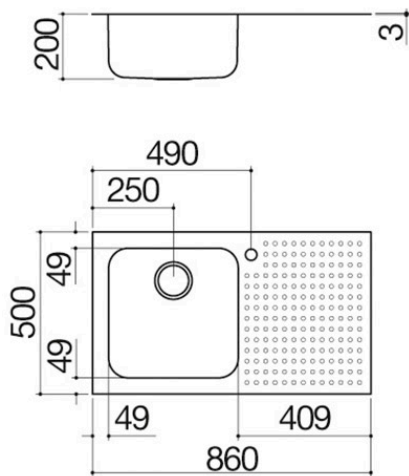
# 86x50 cm Select built-in sink

## 1 bowl + supporting surface

1IS9060/1S

### Description

- extra-thick AISI 304
- stainless steel
- 40x40x20 h bowl
- equipment: 3½" basket strainer waste,
- overflow hole
- tap hole: 1 standard hole
- base unit for bowls: 60
- 84x48 cm cut out





# Plus

## Detailed Features



AISI 304 stainless steel

Barazza products are made of high-quality AISI 304 stainless steel, which guarantees resistance to stress, long-lasting durability and ease of cleaning.



Extra-thick AISI 304 stainless steel

Barazza uses thick AISI 304 stainless steel, which is fully recyclable, corrosion-resistant, durable and highly hygienic.



Deep bowls

Products with this plus feature large, deep bowls capable of accommodating high volumes of water and large cookware.



# Installations

## Installation Method



Lowered edge built-in



The edge finishes with an angled fold.



## Related Accessories



1CPI

## Related Products



1IS6060/1



1IS6060



1IS9060/1D



1IS9060/2



1IS12060/2D