



120 cm B_Draft downdraft cooker hood

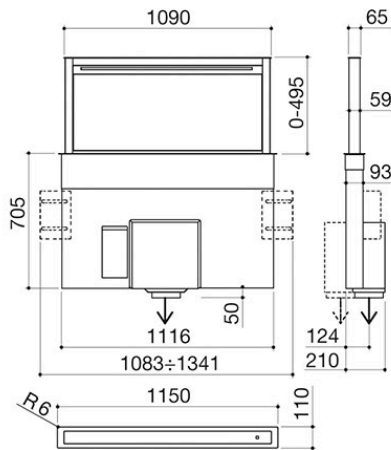
built-in and flush

1KBDD12



Description

- AISI 304 stainless steel
- optional filter extraction
- speeds: 3 + intensive speed
- air flow: 1000 m³/h
- pressure: 500 Pa
- noise level: 49-70 Lw(dBA)
- extractor outlet: ø 150 mm
- + reducer ø 120 mm
- lighting: 3000 K LED strip lighting
- Soft-Touch electronic controls
- filters: stainless steel
- functions: filter maintenance warning
- remote control included
- energy rating C
- set up for remote control
- from Barazza scales
- compatible with gas and induction hobs
- maximum absorbed power: 0.3 kW
- 113.8x10 cm cut out
- flush-top: check technical sheet





Plus

Detailed Features



AISI 304 stainless steel

Barazza products are made of high-quality AISI 304 stainless steel, which guarantees resistance to stress, long-lasting durability and ease of cleaning.



LED lighting

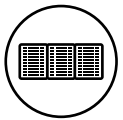
Durable and efficient, LED technology provides perfect illumination while maintaining low energy consumption.



3 speeds + intensive extraction

3 speeds + intensive extraction

Three adjustable speeds plus one intensive mode that ensures even faster extraction of cooking fumes.



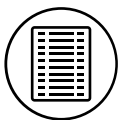
Stainless steel filters

Stainless steel filters stand out for their excellent performance and refined, distinctive design.



Hood and scale connection

All Barazza hoods can be connected to the built-in scale or to the scale integrated in accessorised channels, transforming it into a true remote control for the hood.



Filter maintenance alert

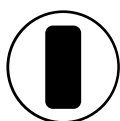


The cooker hood automatically alerts the user when it's time to clean or replace the filters, ensuring proper operation.



Motor power

Barazza hoods have a flow rate of 800/1000 m³/h, which allows for optimal extraction of cooking fumes.



Remote control

The remote control supplied with Lab Evolution, B_Draft and B_Ambient hoods allows users to activate the LED light and select the desired speed.



Module width 120 cm

Barazza cooker hoods are available in various widths to fit the most common standard kitchen modules.



Installations

Installation Method



Flush-top



Ensures perfect alignment with the worktop



Flat edge built-in



The edge is perceptible only to the touch and makes installation easy.



Related Accessories



1FC4



1FC4

Related Products



1KBDD9