



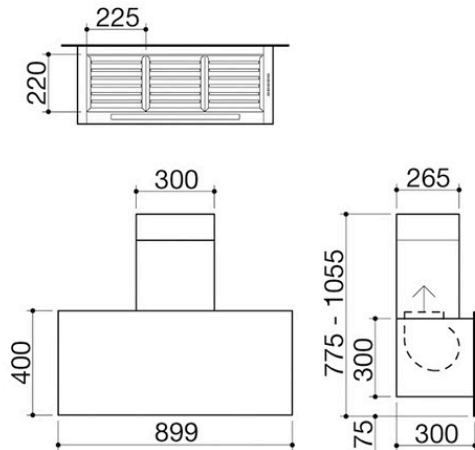
90 cm City Glass wall cooker hood

1KCYP9

Description



- 4 mm thick tempered glass
- speeds: 3 + intensive speed
- air flow: 800 m³/h
- pressure: 565 Pa
- noise level: 45-64 Lw(dBA)
- extractor outlet: \varnothing 150 mm
- + reducer \varnothing 120 mm
- lighting: 4000 K LED strip lighting
- electronic controls
- filters: stainless steel
- telescopic hose H 77.5 ÷ 105.5
- set up for remote control
- from Barazza scales
- maximum absorbed power: 0.3 kW





Plus

Detailed Features



LED lighting

Durable and efficient, LED technology provides perfect illumination while maintaining low energy consumption.



3 speeds + intensive extraction

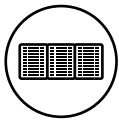
3 speeds + intensive extraction

Three adjustable speeds plus one intensive mode that ensures even faster extraction of cooking fumes.



Motor power

Barazza hoods have a flow rate of 800/1000 m³/h, which allows for optimal extraction of cooking fumes.



Stainless steel filters

Stainless steel filters stand out for their excellent performance and refined, distinctive design.



Adjustable chimney height

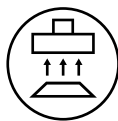
The adjustable chimney height enhances aesthetic results and allows the hood to adapt elegantly to ceilings of various heights.



Hood and scale connection

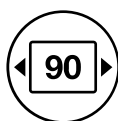


All Barazza hoods can be connected to the built-in scale or to the scale integrated in accessorised channels, transforming it into a true remote control for the hood.



Cooker hood for induction hobs

Designed specifically for installation above induction hobs, it solves the common issue of condensation build-up on the hood surface.



Module width 90 cm

Barazza cooker hoods are available in various widths to fit the most common standard kitchen modules.



Installations

Installation Method

energy
rating

A

Rating A



RATING A Maximum efficiency with reduced consumption. Class A ensures high performance while fully respecting the environment and energy savings.



Related Products



1KCYP12