



90 cm Lab Evolution downdraft cooker hood

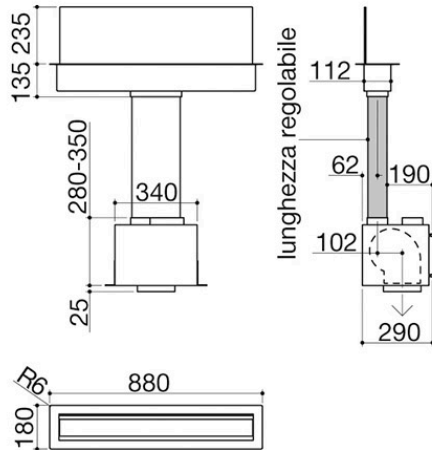
built-in and flush

1KLE9

Description



- matt black AISI 304 stainless steel
- fixed deflector glass
- optional filter extraction
- speeds: 3+1
- pressure: 334 Pa
- air flow: 800 m³/h
- noise level: 41 - 66 Lw (dBA)
- extractor outlet: ø150 mm + rectangular
- pipe connector 220x90 mm
- filters: stainless steel
- alarm function for filter cleaning
- remote control included
- energy rating C
- set up for remote control from Barazza
- scales
- compatible with induction hobs with zones in line
- compatible with Barazza gas hobs codes 1PLE2D and 1PLB2T
- maximum absorbed power: 0.275 kW
- 86x16 cm cut out
- flush-top: check technical sheet





Plus

Detailed Features



AISI 304 stainless steel

Barazza products are made of high-quality AISI 304 stainless steel, which guarantees resistance to stress, long-lasting durability and ease of cleaning.



3 speeds + intensive extraction

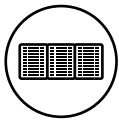
3 speeds + intensive extraction

Three adjustable speeds plus one intensive mode that ensures even faster extraction of cooking fumes.



Motor power

Barazza hoods have a flow rate of 800/1000 m³/h, which allows for optimal extraction of cooking fumes.



Stainless steel filters

Stainless steel filters stand out for their excellent performance and refined, distinctive design.



Hood and scale connection

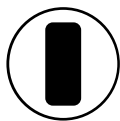
All Barazza hoods can be connected to the built-in scale or to the scale integrated in accessorised channels, transforming it into a true remote control for the hood.



Filter maintenance alert

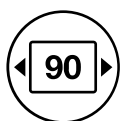


The cooker hood automatically alerts the user when it's time to clean or replace the filters, ensuring proper operation.



Remote control

The remote control supplied with Lab Evolution, B_Draft and B_Ambient hoods allows users to activate the LED light and select the desired speed.



Module width 90 cm

Barazza cooker hoods are available in various widths to fit the most common standard kitchen modules.



Installations

Installation Method



Flush-top



Ensures perfect alignment with the worktop



Flat edge built-in



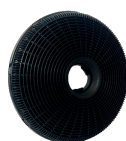
The edge is perceptible only to the touch and makes installation easy.



Related Accessories



1FC1



1FC1