



# 79x51 cm B\_Open built-in sink

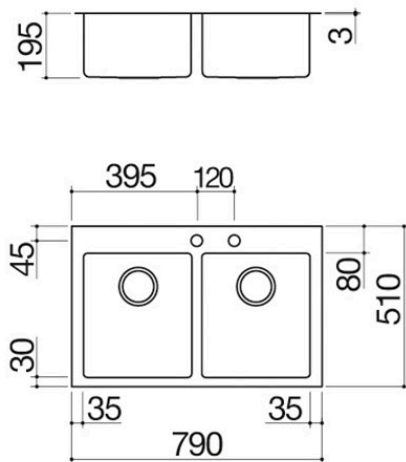
## 2 bowls

1LB082



### Description

- extra-thick AISI 304
- stainless steel
- bowl with radius "15"
- 34x40x19.5 h bowl
- equipment: 3½" basket strainer waste, pop-up plug, stainless steel drain cover,
- perimeter overflow
- tap hole: 2 standard holes
- base unit for bowls: 80
- 77x49 cm cut out





# Plus

## Detailed Features



AISI 304 stainless steel

Barazza products are made of high-quality AISI 304 stainless steel, which guarantees resistance to stress, long-lasting durability and ease of cleaning.



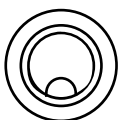
Extra-thick AISI 304 stainless steel

Barazza uses thick AISI 304 stainless steel, which is fully recyclable, corrosion-resistant, durable and highly hygienic.



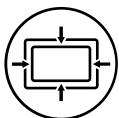
Deep bowls

Products with this plus feature large, deep bowls capable of accommodating high volumes of water and large cookware.



Stainless steel drain cover

Practical and stylish, the stainless steel drain cover is the ideal accessory for every sink. Made of high-quality AISI 304 stainless steel, it offers resistance, durability and ease of cleaning.



Perimeter overflow

All Barazza sinks and bowls are equipped with an overflow device that prevents water from spilling. Some versions feature a perimeter overflow, with an exclusive and refined design. Smart pop-up waste.



Radius 15

A spoke radius with a more pronounced connection and a more enveloping appearance.



Pop-up waste

It allows you to empty the bowl by rotating it without having to intervene with your hands inside it.



# Installations

## Installation Method



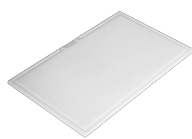
Lowered edge built-in



The edge finishes with an angled fold.



## Related Accessories



1TOF26



1VOF



1VSOF



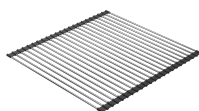
1CIVQ



1CITN



1TOF26N



1GSPA



1CIFX



1VSFX



1GLN

## Related Products



1LBO61



1LBO81