



# 86x51 cm Easy built-in and flush sink

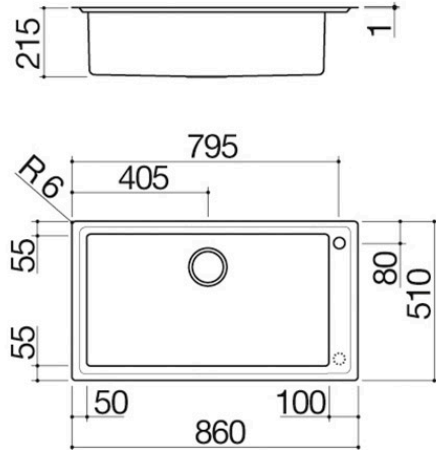
## 1 bowl

1LES91P



### Description

- extra-thick AISI 304
- stainless steel
- bowl with radius "15"
- 71x40x21.5 h bowl
- equipment: 3½" basket strainer waste, stainless steel drain cover, perimeter overflow
- tap hole: 1 standard hole
- 2nd hole upon request
- base unit for bowls: 90
- 84x49 cm cut out
- flush-top: check technical sheet





# Plus

## Detailed Features



AISI 304 stainless steel

Barazza products are made of high-quality AISI 304 stainless steel, which guarantees resistance to stress, long-lasting durability and ease of cleaning.



Extra-thick AISI 304 stainless steel

Barazza uses thick AISI 304 stainless steel, which is fully recyclable, corrosion-resistant, durable and highly hygienic.



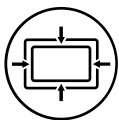
Deep bowls

Products with this plus feature large, deep bowls capable of accommodating high volumes of water and large cookware.



Stainless steel drain cover

Practical and stylish, the stainless steel drain cover is the ideal accessory for every sink. Made of high-quality AISI 304 stainless steel, it offers resistance, durability and ease of cleaning.



Perimeter overflow

All Barazza sinks and bowls are equipped with an overflow device that prevents water from spilling. Some versions feature a perimeter overflow, with an exclusive and refined design. Smart pop-up waste.



Radius 15

A spoke radius with a more pronounced connection and a more enveloping appearance.



# Installations

## Installation Method



Flush-top



Ensures perfect alignment with the worktop



Flat edge built-in



The edge is perceptible only to the touch and makes installation easy.



## Related Accessories



1TOF26



1VOF



1VSOF



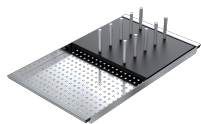
1CIVQ



1CITN



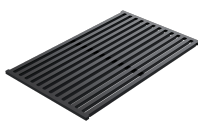
1TOF26N



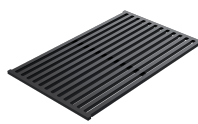
1CIFX



1VSFX



1GLN



1GQRN

## Related Products



1LES91PD



1LES91PS



1LES92P



1LES91RD



1LES91RS