



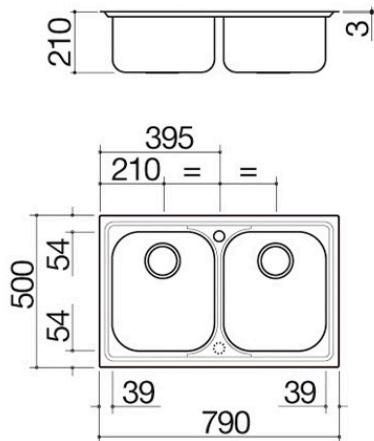
79x50 cm B_Fast built-in sink

2 bowls

1LFS82

Description

- AISI 304 stainless steel
- 34x39x21 h bowl
- equipment: 3½" basket strainer waste,
- perimeter overflow
- tap hole: 1 standard hole
- 2nd hole upon request
- base unit for bowls: 80
- 77x48 cm cut out





Plus

Detailed Features



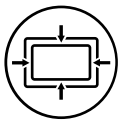
AISI 304 stainless steel

Barazza products are made of high-quality AISI 304 stainless steel, which guarantees resistance to stress, long-lasting durability and ease of cleaning.



Deep bowls

Products with this plus feature large, deep bowls capable of accommodating high volumes of water and large cookware.



Perimeter overflow

All Barazza sinks and bowls are equipped with an overflow device that prevents water from spilling. Some versions feature a perimeter overflow, with an exclusive and refined design. Smart pop-up waste.



Installations

Installation Method



Lowered edge built-in



The edge finishes with an angled fold.



Related Accessories



1CREIM



1TRE



1TREP



1CI91



1CI91



1CPI

Related Products



1LFS81D



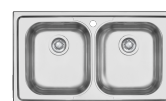
1LFS81S



1LFS91D



1LFS91S



1LFS92