



57x51 cm Lab Cover 316 built-in and flush sink

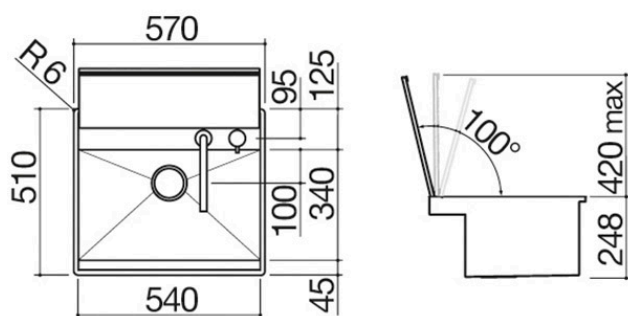
1 bowl with cover + tap

1LLB606



Description

- extra-thick AISI 316
- stainless steel
- bowl with radius "0"
- 54x34x18.3 h bowl
- balanced, removable, AISI 316
- stainless steel cover with manual opening
- equipment: 3½" basket strainer waste, B overflow, Thalys Telescopic mixer tap with remote control 1RUBTH
- tap hole: 2 standard holes
- base unit for bowls: 60
- 56x49 cm cut out
- flush-top: check technical sheet





Plus

Detailed Features



Extra-thick AISI 304 stainless steel

Barazza uses thick AISI 304 stainless steel, which is fully recyclable, corrosion-resistant, durable and highly hygienic.



Deep bowls

Products with this plus feature large, deep bowls capable of accommodating high volumes of water and large cookware.



Radius 0

Squared and elegant bowl radius for a minimalist and contemporary look.



Telescopic tap

Barazza telescopic taps can be positioned and hidden at worktop level.



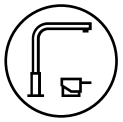
Stainless steel cover

Flush-fitting, balanced and removable AISI 304 stainless steel cover.



AISI 316 stainless steel

Elements made of AISI 316 stainless steel, a fully recyclable, durable and highly hygienic material, extremely resistant to weather and salt.



Remote control

Barazza taps feature remote control with a separate knob for water flow adjustment.



Installations

Installation Method



Flush-top



Ensures perfect alignment with the worktop



Flat edge built-in



The edge is perceptible only to the touch and makes installation easy.



Related Accessories



1GQRN

Related Products



1LLB616



1LLB916



1QR406



1QR506



1QR706