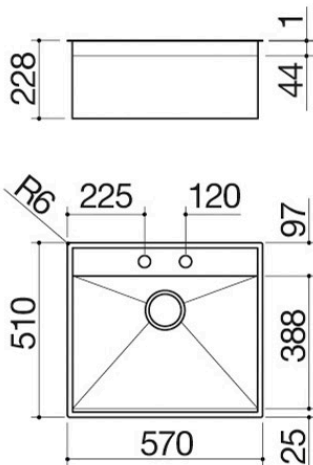
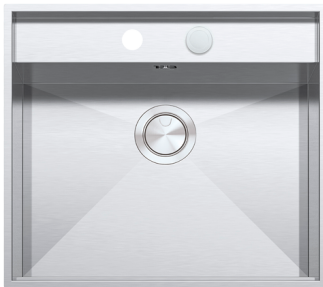




57x51 cm Lab 316 built-in, flush and undermounted sink

1 bowl with lowering

1LLB616



Description

- extra-thick AISI 316 stainless steel
- bowl with radius "0"
- 54x38.8x18.3 h bowl
- bowl with lowering for
- sliding of accessories
- equipment: 3½" basket strainer waste,
- stainless steel drain cover, Smart pop-up
- plug, B overflow
- tap hole: 2 standard holes
- base unit for bowls:
 - - built-in and flush: 60
 - - undermounted: 80
- 56x49 cm cut out
- flush-top and undermounted: check technical sheet



Plus

Detailed Features



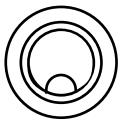
Extra-thick AISI 304 stainless steel

Barazza uses thick AISI 304 stainless steel, which is fully recyclable, corrosion-resistant, durable and highly hygienic.



Deep bowls

Products with this plus feature large, deep bowls capable of accommodating high volumes of water and large cookware.



Stainless steel drain cover

Practical and stylish, the stainless steel drain cover is the ideal accessory for every sink. Made of high-quality AISI 304 stainless steel, it offers resistance, durability and ease of cleaning.



Smart pop-up waste

This system lets you empty the sink by simply pressing a button, without having to put your hands in the bowl.



Radius 0

Squared and elegant bowl radius for a minimalist and contemporary look.



AISI 316 stainless steel



Elements made of AISI 316 stainless steel, a fully recyclable, durable and highly hygienic material, extremely resistant to weather and salt.



Installations

Installation Method

 FT

Flush-top



Ensures perfect alignment with the worktop

 FEB

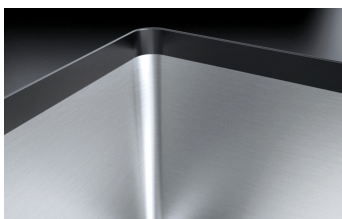
Flat edge built-in



The edge is perceptible only to the touch and makes installation easy.

 UM

Undermounted



The square bowls are elegantly installed beneath the worktop.



Related Accessories



1TBF



1VBF



1GQRN

Related Products



1LLB916



1LLB606



1QR406



1QR506



1QR706