



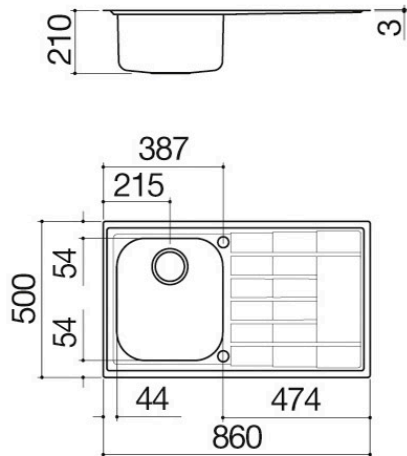
86x50 cm B_Level built-in sink

1 bowl + drainer

1LLV90/1S

Description

- extra-thick AISI 304
- stainless steel
- 34x39x21 h bowl
- equipment: 3½" basket strainer waste, pop-up plug, perimeter overflow
- tap hole: 2 standard holes
- base unit for bowls: 45
- 84x48 cm cut out





Plus

Detailed Features



AISI 304 stainless steel

Barazza products are made of high-quality AISI 304 stainless steel, which guarantees resistance to stress, long-lasting durability and ease of cleaning.



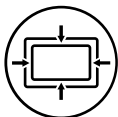
Extra-thick AISI 304 stainless steel

Barazza uses thick AISI 304 stainless steel, which is fully recyclable, corrosion-resistant, durable and highly hygienic.



Deep bowls

Products with this plus feature large, deep bowls capable of accommodating high volumes of water and large cookware.



Perimeter overflow

All Barazza sinks and bowls are equipped with an overflow device that prevents water from spilling. Some versions feature a perimeter overflow, with an exclusive and refined design. Smart pop-up waste.



Pop-up waste

It allows you to empty the bowl by rotating it without having to intervene with your hands inside it.



Installations

Installation Method



Lowered edge built-in



The edge finishes with an angled fold.



Related Accessories



1CREIM



1TRE



1TREP



1CI91



1CI91

Related Products



1LLV90/1D



1LLV90/2



1LLV100/D



1LLV100/S



1LLV120/2D