



86x51 cm Mood built-in sink

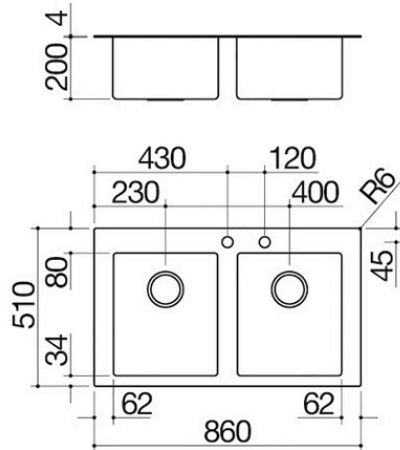
2 bowls

1LMDR92



Description

- 4 mm thick
- AISI 304 stainless steel
- bowls with radius "12"
- 34x40x20 h bowl
- equipment: 3½" basket strainer waste, Smart pop-up plug, stainless steel drain cover, perimeter overflow
- tap hole: 2 standard holes
- base unit for bowls: 90
- 84x49 cm cut out





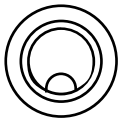
Plus

Detailed Features



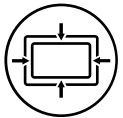
Deep bowls

Products with this plus feature large, deep bowls capable of accommodating high volumes of water and large cookware.



Stainless steel drain cover

Practical and stylish, the stainless steel drain cover is the ideal accessory for every sink. Made of high-quality AISI 304 stainless steel, it offers resistance, durability and ease of cleaning.



Perimeter overflow

All Barazza sinks and bowls are equipped with an overflow device that prevents water from spilling. Some versions feature a perimeter overflow, with an exclusive and refined design. Smart pop-up waste.



AISI 304 stainless steel, 4 mm thick

The full thickness of 4 mm is the maximum expression of the qualities of AISI 304 steel, combining aesthetic and design qualities with unparalleled strength and durability.



Radius 12

Radius with a slightly rounded edge.



Pop-up waste

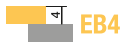


It allows you to empty the bowl by rotating it without having to intervene with your hands inside it.



Installations

Installation Method



EB4

Edge built-in 4mm



The solid 4 mm thick stainless steel makes the Mood stainless steel collection a true example of design and sophistication.



Related Accessories



1TOF26



1VOF



1VSOF



1CIVQ



1CITN



1TOF26N



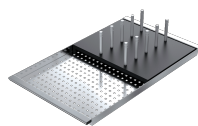
1GSPA



1TGMD



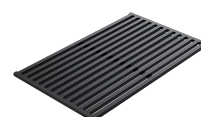
1TGS



1CIFX



1VSFX



1GLN



1GQRN

Related Products



1LMDR91D



1LMDR91S



1LMDR91