



100x52 cm Mizu sink

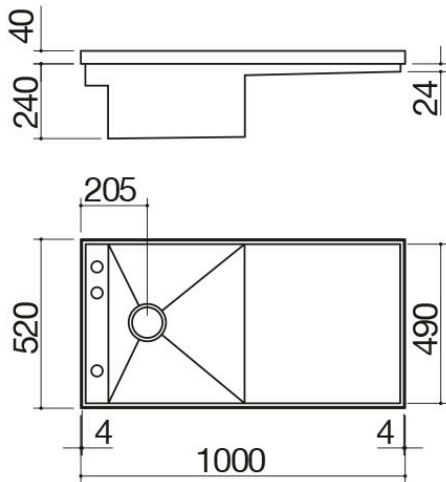
1 bowl with lowering + drainer

1LMZ105



Description

- perimeter frame h 40 mm
- in 4 mm thick stainless steel
- extra-thick AISI 304 stainless steel
- bowl with radius "0" with lowering for
- sliding of accessories
- 42x49x17.2 h bowl
- equipment: 3½" basket strainer waste,
- Smart pop-up plug, stainless steel
- drain cover, perimeter overflow
- tap hole: 3 standard holes
- base unit for bowls: 60
- 99x51 cm cut out
- the sink is reversible





Plus

Detailed Features



AISI 304 stainless steel

Barazza products are made of high-quality AISI 304 stainless steel, which guarantees resistance to stress, long-lasting durability and ease of cleaning.



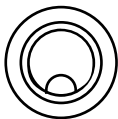
Extra-thick AISI 304 stainless steel

Barazza uses thick AISI 304 stainless steel, which is fully recyclable, corrosion-resistant, durable and highly hygienic.



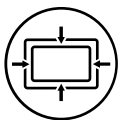
Deep bowls

Products with this plus feature large, deep bowls capable of accommodating high volumes of water and large cookware.



Stainless steel drain cover

Practical and stylish, the stainless steel drain cover is the ideal accessory for every sink. Made of high-quality AISI 304 stainless steel, it offers resistance, durability and ease of cleaning.



Perimeter overflow

All Barazza sinks and bowls are equipped with an overflow device that prevents water from spilling. Some versions feature a perimeter overflow, with an exclusive and refined design. Smart pop-up waste.



Smart pop-up waste

This system lets you empty the sink by simply pressing a button, without having to put your hands in the bowl.



Radius 0

Squared and elegant bowl radius for a minimalist and contemporary look.



Installations

Installation Method



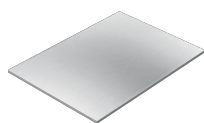
Mizu Kasai built-in



Perimeter frame in stainless steel



Related Accessories



1TMZ1



1KRLMZ

Related Products



1LMZ51



1LMZ135