

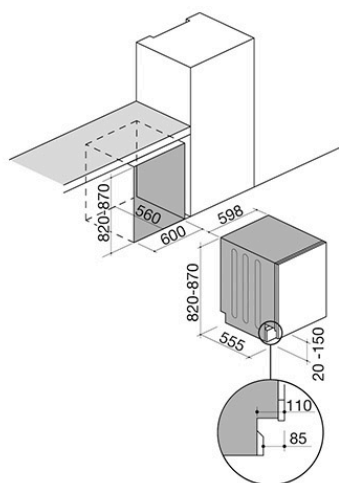
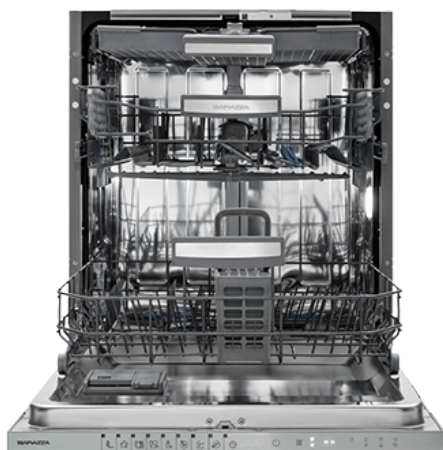


# 60 cm Aura Advance fully integrated dishwasher

**built-in**

1LVA6I

## Description



- 15 place settings
- 9 programs: Mini 14', Quick 30', Eco,
- Super 50', Dual Pro Wash 60 °C,
- Hygiene 70 °C, Smart 30-50 °C,
- Smart 50-60 °C, Smart 60-70 °C
- delayed start
- half load program
- Inverter motor
- Touch controls
- control panel in stainless steel finish
- Configurations
- Triple Wash & Direct Wash
- AquaZone
- AcquaStop
- Extra Silent
- Extra Fast function
- energy-saving function
- Turbo dry
- AutoDoor (automatic opening)
- door InfoLED
- Equipment
- internal side light
- metal filter
- 3 dark grey baskets (fixed lower basket
- with 4 foldable racks, upper basket with
- 2 foldable racks, 4 cup shelves and 3
- adjustable heights, adjustable third cutlery
- drawer)
- Accessories
- cutlery basket
- Technical data
- sliding door: plinth 2 cm min.
- door weight: 3-8 kg
- Schuko mains plug
- noise level: 39 dBA
- water consumption / Eco program: 9 litres
- dimensions: 59.8x55.5x82/87 h cm



- power supply: 220-240 V 50 Hz
- maximum absorbed power: 1.9 kW



# Plus

## Detailed Features



15 place settings

Large capacity for up to 15 place settings.



InfoLed

The light on the door indicates when the wash cycle is complete.



Inverter motor

The motor's technology guarantees less vibration and less noise.



AutoDoor

This technology increases the drying efficiency when the dishwasher door is opened at the end of the cycle.



Internal light

In the Aura Advance version: the internal light helps the user best position the dishes and empty the dishwasher without having to turn on the kitchen light.



Silent Wash

Exceptional silence is guaranteed with 39 dBA in the Aura Advance, and 44 dBA in the Aura One.



### Sliding Upper Cutlery Tray

In the Aura Advance version, the upper cutlery tray is designed to hold both small cutlery items and long utensils.

It is made up of three parts: if you need more space for dishes in the upper rack, you can slide the left or right section of the cutlery tray.



### Smart Wash

Uses an intelligent technology that measures the water's turbidity, applying the best wash temperature and time depending on how dirty the water is to offer optimal performance.



### Eco Wash

Allows independent use of the top and bottom trays for load options to save energy and reduce water consumption.



### AquaZone

The spray arms rotate separately, using 25% less water, but applying more pressure.



### Turbo dry

Innovative system that improves and speeds drying of tableware.



### Triple Wash & Direct Wash

In the Aura Advance version: the Triple Wash technology uses additional spray arms, positioned under the bottom tray, to offer greater washing performance for highly soiled tableware and cookware.

The additional spray arms can operate with the main spray arm or individually.

DirectWash provides multidirectional deep and extremely precise cleaning.



The spray can be directed upwards to effectively clean glasses and baby bottles, or downwards to better wash the tableware below.



Basket Height Adjustment

Adjust the height of the upper basket when full.

In the Aura Advance version: the upper basket includes a mechanism that allows you to adjust its height without having to remove the basket: high, middle, and low positions.

It is also equipped with foldable and adjustable flaps.



Sliding door

In the Aura Advance, the low plinth, minimum 2 cm, features an easy and efficient installation system.

In the Aura One, the low plinth, minimum 6 cm, features an easy and efficient installation system.



Energy rating D

All refrigerators and dishwashers by Barazza belong to energy class D: maximum efficiency to optimise performance and reduce energy consumption. Barazza operates according to an eco-sustainability principle, favouring future generations.



# Installations

## Installation Method

energy rating D

Rating D



RATING D Maximum efficiency with reduced consumption. Class A ensures high performance while fully respecting the environment and energy savings.

