



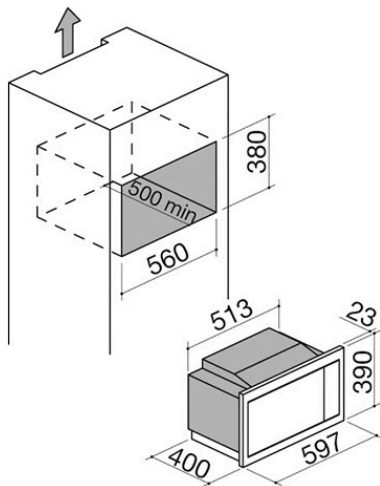
# Built-in Glass microwave oven

1MOGN

## Description



- 6 cooking functions
- automatic programming for 8 types of food
- capacity: 25 litres
- features: stainless steel inside, glass inner door, double-glass side-opening door, internal light
- equipment: extractable turntable plate, raised removable grill rack
- safety devices: electronic safety lock
- maximum absorbed power: 1.45 kW



SEE OTHER AVAILABLE DESIGNS:



1MOEN



1MOI



1MOIV



# Plus

## Detailed Features



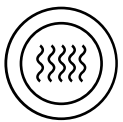
Automatic cooking programs ovens

Automatic cooking programs allow you to achieve perfect results simply by selecting the desired recipe and placing the food in a cold oven.



Child safety lock

Prevents accidental changes to the hob settings, particularly by children.



Microwave functions

Barazza's microwave ovens complete the range with easy-to-use technology and immediate performance, paired with an aesthetic of pure design in stainless steel or black finish. Highly functional and versatile, they offer quick cooking and flexible installation options.



Module height 38

The ovens and coordinated products are available in various heights to adapt perfectly to any installation and configuration need.



25-litre cavity capacity

The large oven cavities help optimise cooking times, resulting in energy savings.



Turntable plate

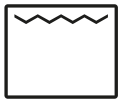


The turntable, supplied with non-combi microwave ovens, ensures even cooking and defrosting of dishes.



# Functions

## Main Functions



Traditional grill

This is particularly useful for cooking slim cuts of meat and for making toast and crostini.



Microwave

Microwave cooking at adjustable power levels, to 1000W, which means cooking and defrosting of food can be significantly speeded up.



Quick start

With this function the oven is started up at maximum power for 30 seconds. Each time the relevant button is pressed adds another 30 seconds.



Grill + microwave

The addition of the microwave to the traditional grill lets dishes get even crispier. Ideal for preparing lasagne, potatoes, roasts and different types of soufflé.



Timed defrost

This lets you defrost dishes gently, without any detrimental effect, using the time as the parameter.



Defrost by weight

This lets you defrost dishes gently, without any detrimental effect, using the weight, from 100 g to 2000 g as the parameter.

