



70 cm B_Free built-in hob

2 gas burners + 2 Chef double rings

1PBF74

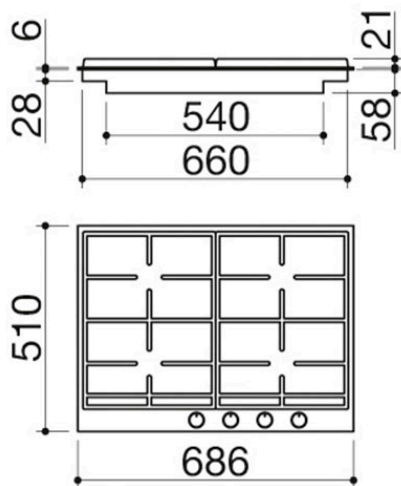


Description

- extra-thick AISI 304
- stainless steel
- cast iron pan supports
- 66.5x49 cm cut out

Burner power:

- 1 auxiliary: 1 kW
- 1 semi-rapid: 1.75 kW
- 2 Chef double ring: 3.5 kW





Plus

Detailed Features



AISI 304 stainless steel

Barazza products are made of high-quality AISI 304 stainless steel, which guarantees resistance to stress, long-lasting durability and ease of cleaning.



Extra-thick AISI 304 stainless steel

Barazza uses thick AISI 304 stainless steel, which is fully recyclable, corrosion-resistant, durable and highly hygienic.



Cast iron pan supports

Made of cast iron, like those used in professional kitchens, they are particularly solid, heat-resistant, durable, and able to retain and distribute heat more effectively.



Stainless steel knobs

Made of stainless steel, Barazza hob knobs are robust, pleasant to the touch and allow smooth, precise power regulation for burners or induction zones.



Double crown burner 3.5 kW

Two high-efficiency flame rings, with centrally directed flame, optimise the 3.5 kW output for fast, even cooking.



Module width 70



Barazza hobs are available in various widths designed to fit the most common standard kitchen unit modules.



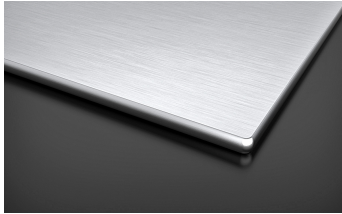
Installations

Installation Method



SQEB

Square edge built-in



The folded edge rests on the worktop.



Related Products



1PBF1



1PBF2



1PBFTK1



1PBFBQ



1PBF64