

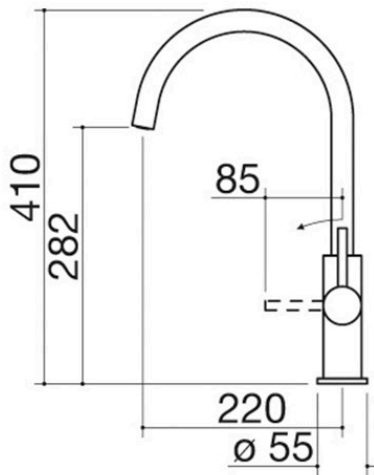


B_Open One Steel mixer tap

1RUBBO1S

Description

- AISI 304 stainless steel
- ceramic disc cartridge
- tap rotation: 360°
- tap base: \varnothing 55 mm
- tap hole: \varnothing 35 mm





Plus

Detailed Features



AISI 304 stainless steel

Barazza products are made of high-quality AISI 304 stainless steel, which guarantees resistance to stress, long-lasting durability and ease of cleaning.



Tap with 360° rotation

Barazza taps feature a 360° tap rotation for maximum flexibility during use.



Related Products



1RUBMBF1C



1RUBMFSC



1RUBL1D



1RUBMBLC



1RUBMOF1C