

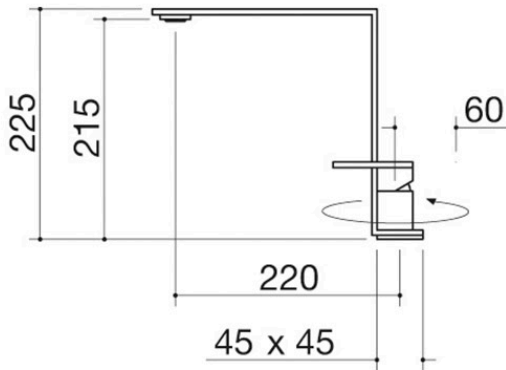


Mood One mixer tap

1RUBMD1

Description

- AISI 316 stainless steel
- ceramic disc cartridge
- tap rotation: 360°
- tap base: 45x45 mm
- tap hole: \varnothing 35 mm





Plus

Detailed Features



Tap with 360° rotation

Barazza taps feature a 360° tap rotation for maximum flexibility during use.



AISI 316 stainless steel

Elements made of AISI 316 stainless steel, a fully recyclable, durable and highly hygienic material, extremely resistant to weather and salt.



Related Products



1RUBMLBI



1RUBMS2



1RUBEVD



1RUBMXS