



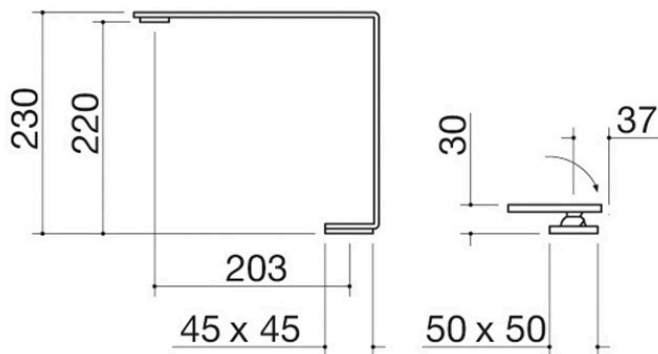
Mood Top mixer tap

with remote control

1RUBMDT

Description

- AISI 316 stainless steel
- ceramic disc cartridge
- tap rotation: 360°
- tap base: 45x45 mm
- control base: 50x50 mm
- tap hole: \varnothing 35 mm
- control hole: \varnothing 35 mm





Plus

Detailed Features



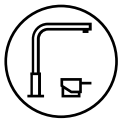
Tap with 360° rotation

Barazza taps feature a 360° tap rotation for maximum flexibility during use.



AISI 316 stainless steel

Elements made of AISI 316 stainless steel, a fully recyclable, durable and highly hygienic material, extremely resistant to weather and salt.



Remote control

Barazza taps feature remote control with a separate knob for water flow adjustment.



Related Products



1RUBMBF1C



1RUBMFSC



1RUBL1D



1RUBMBLC



1RUBMOF1C