



# Kit Top mixer tap

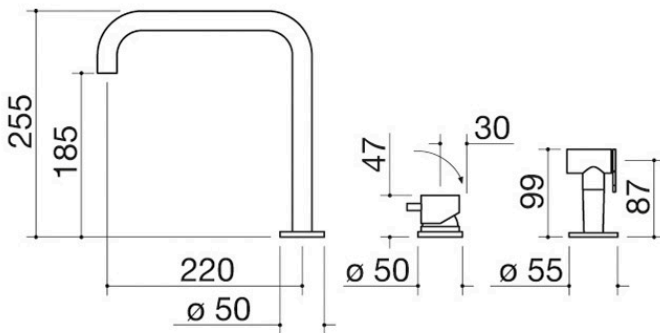
with remote control and pull-out spray head

1RUBMRKT

## Description



- AISI 316 stainless steel
- ceramic disc cartridge
- tap rotation: 360°
- tap base:  $\varnothing$  50 mm
- control base:  $\varnothing$  50 mm
- spray head base:  $\varnothing$  55 mm
- tap hole:  $\varnothing$  35 mm
- control hole:  $\varnothing$  35 mm
- spray head hole:  $\varnothing$  35 mm





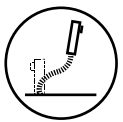
# Plus

## Detailed Features



Tap with 360° rotation

Barazza taps feature a 360° tap rotation for maximum flexibility during use.



Pull-out spray

The independent pull-out spray, placed next to the tap, provides more powerful and efficient cleaning.



AISI 316 stainless steel

Elements made of AISI 316 stainless steel, a fully recyclable, durable and highly hygienic material, extremely resistant to weather and salt.



Remote control

Barazza taps feature remote control with a separate knob for water flow adjustment.



## Related Products



1RUBMBF1C



1RUBMFSC



1RUBL1D



1RUBMBLC



1RUBMOF1C