



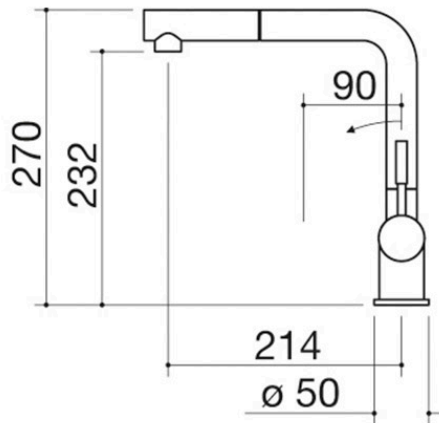
Steel Shower mixer tap

with pull-out spray head

1RUBMSTD

Description

- pull-out spray head
- AISI 304 stainless steel
- ceramic disc cartridge
- tap rotation: 180°
- tap base: \varnothing 50 mm
- tap hole: \varnothing 35 mm





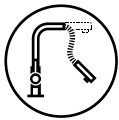
Plus

Detailed Features



AISI 304 stainless steel

Barazza products are made of high-quality AISI 304 stainless steel, which guarantees resistance to stress, long-lasting durability and ease of cleaning.



Pull-out spray

The independent pull-out spray, placed next to the tap, provides more powerful and efficient cleaning.



Tap with 180° rotation

Barazza taps present a 180° rotation tap.



Related Products



1RUBMBF1C



1RUBMFSC



1RUBL1D



1RUBMBLC



1RUBMOF1C