



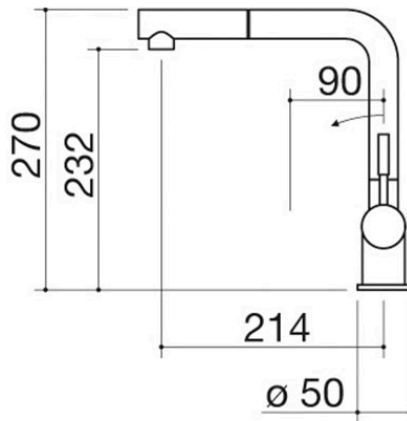
# Steel Shower Vintage mixer tap

## with pull-out spray head

1RUBMSTDV

### Description

- pull-out spray head
- Vintage AISI 304 stainless steel
- ceramic disc cartridge
- tap rotation: 180°
- tap base:  $\varnothing$  50 mm
- tap hole:  $\varnothing$  35 mm





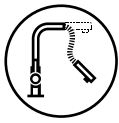
# Plus

## Detailed Features



AISI 304 stainless steel

Barazza products are made of high-quality AISI 304 stainless steel, which guarantees resistance to stress, long-lasting durability and ease of cleaning.



Pull-out spray

The independent pull-out spray, placed next to the tap, provides more powerful and efficient cleaning.



Tap with 180° rotation

Barazza taps present a 180° rotation tap.



## Related Products



1RUBMBF1C



1RUBMFSC



1RUBL1D



1RUBMBLC



1RUBMOF1C