



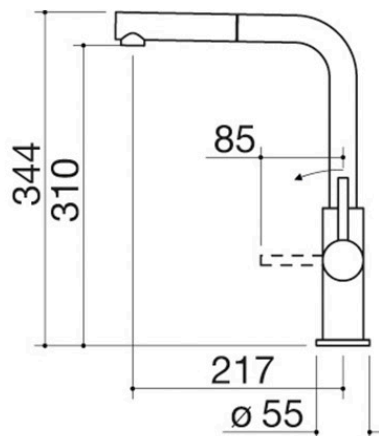
Officina One Shower Steel mixer tap with pull-out spray head

1RUBO1DS



Description

- pull-out spray head
- AISI 304 stainless steel
- ceramic disc cartridge
- tap rotation: 360°
- tap base: \varnothing 55 mm
- tap hole: \varnothing 35 mm





Plus

Detailed Features



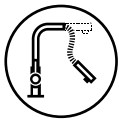
AISI 304 stainless steel

Barazza products are made of high-quality AISI 304 stainless steel, which guarantees resistance to stress, long-lasting durability and ease of cleaning.



Tap with 360° rotation

Barazza taps feature a 360° tap rotation for maximum flexibility during use.



Pull-out spray

The independent pull-out spray, placed next to the tap, provides more powerful and efficient cleaning.



Related Products



1RUBMBF1C



1RUBMFSC



1RUBL1D



1RUBMBLC



1RUBMOF1C