



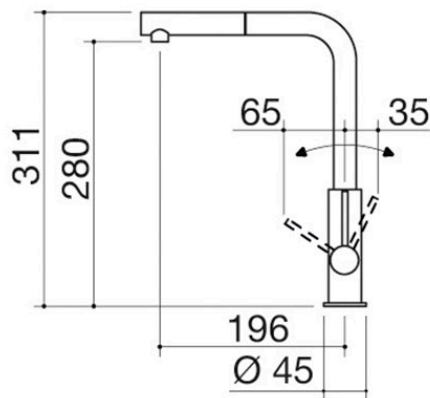
Officina Shower 316 mixer tap

with pull-out spray head

1RUBOF316

Description

- pull-out spray head
- AISI 316 stainless steel
- ceramic disc cartridge
- tap rotation: 360°
- tap base: \varnothing 45 mm
- tap hole: \varnothing 35 mm





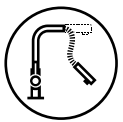
Plus

Detailed Features



Tap with 360° rotation

Barazza taps feature a 360° tap rotation for maximum flexibility during use.



Pull-out spray

The independent pull-out spray, placed next to the tap, provides more powerful and efficient cleaning.



AISI 316 stainless steel

Elements made of AISI 316 stainless steel, a fully recyclable, durable and highly hygienic material, extremely resistant to weather and salt.



Related Products



1RUBMBF1C



1RUBMFSC



1RUBL1D



1RUBMBLC



1RUBMOF1C