



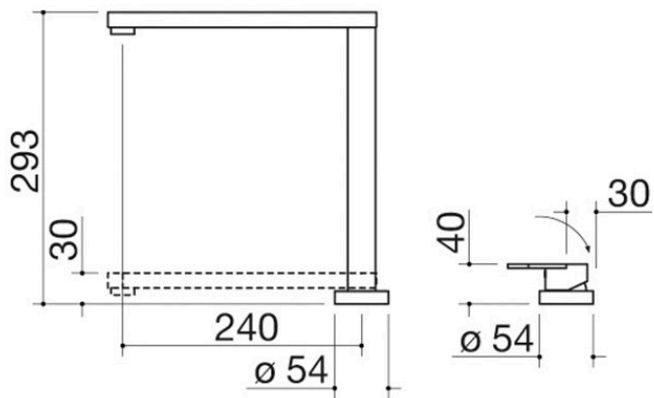
Space Steel Telescopic mixer tap

with remote control

1RUBSSA

Description

- AISI 304 stainless steel
- ceramic disc cartridge
- tap rotation: 360°
- minimum height: 40 mm
- tap base: \varnothing 54 mm
- control base: \varnothing 54 mm
- tap hole: \varnothing 35 mm
- control hole: \varnothing 35 mm





Plus

Detailed Features



Tap with 360° rotation

Barazza taps feature a 360° tap rotation for maximum flexibility during use.



Telescopic tap

Barazza telescopic taps can be positioned and hidden at worktop level.



AISI 316 stainless steel

Elements made of AISI 316 stainless steel, a fully recyclable, durable and highly hygienic material, extremely resistant to weather and salt.



Remote control

Barazza taps feature remote control with a separate knob for water flow adjustment.



Related Products



1RUBMBF1C



1RUBMFSC



1RUBL1D



1RUBMBLC



1RUBMOF1C