

1RUBMX

DESCRIZIONE Rubinetto Miscelatore Max
DESCRIPTION Max Mixer Tap

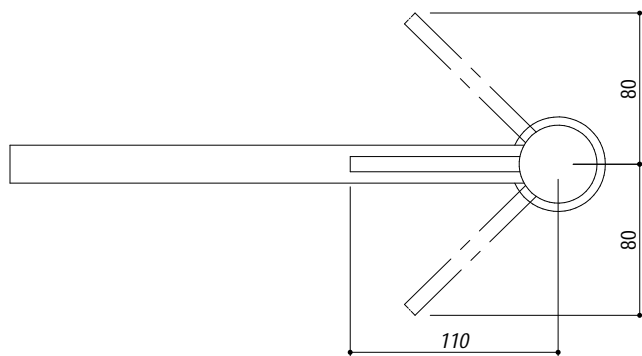
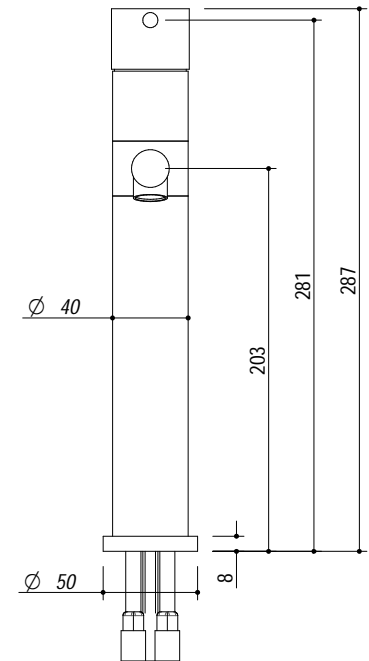
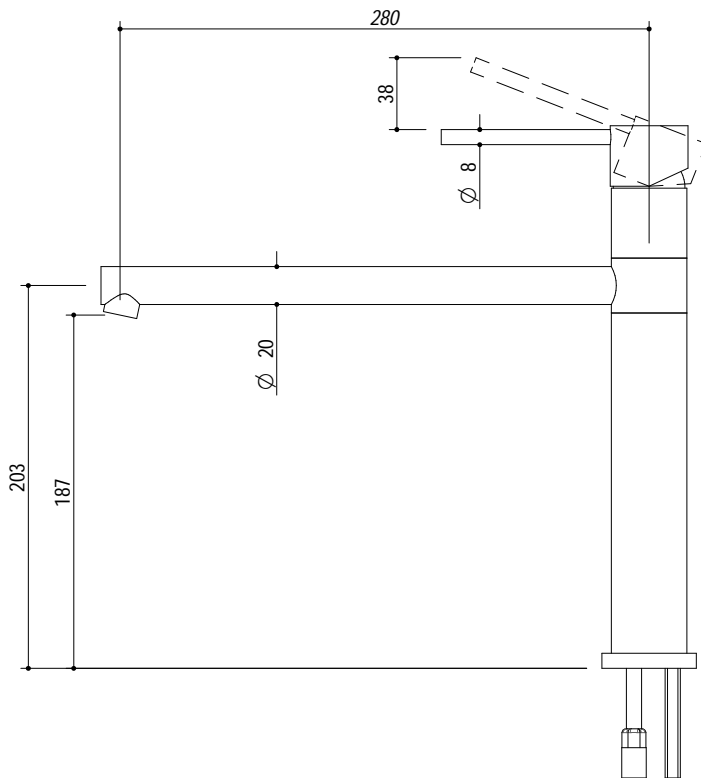
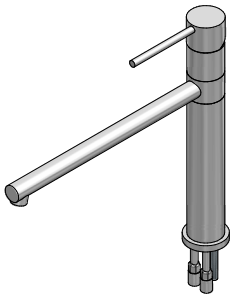
PESO LORDO 2 Kg
GROSS WEIGHT

DIMENSIONI IMBALLO 560x300x70 mm
PACKAGING DIMENSIONS

1RUBMXS FINITURA INOX SATINATO
 1RUBMXK NERO

SATIN STAINLESS STEEL FINISH
 BLACK

- cartuccia: dischi ceramici (ceramic disc cartridge)
- rotazione canna: 360° (top rotation: 360°)
- base rubinetto: ø50 (tap base)
- foro rubinetto: ø35 (tap hole)
- portata media: -



SCALA DISEGNO 1:4
DRAWING SCALE



TUTTE LE MISURE IN mm
ALL MEASURES IN mm

TOLLERANZA LINEARE: ± 0.5 mm
LINEAR TOLERANCE

TOLLERANZA ANGOLARE: ± 0.2 °
ANGULAR TOLERANCE