

**MOOD
FUSION**



MOOD FUSION. AN AUTHENTIC BLEND OF INTENTIONS.

Mood Fusion is a single built-in worktop offering all the functional elements you need as part of an authentic design, with distinctive features, such as 4 mm thick steel, Flat Eco-Design burners, Soft-Touch pan supports, or induction hob.

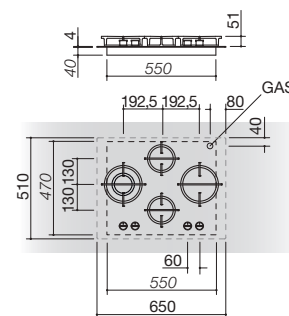
Pure substance showcased in Barazza's four steel finishes, satin, soft-v, vintage, and mat, offering a high level of customisation, including the material.

HOBS FOR MOOD FUSION DEPTH 51 CM

Built into AISI 304 stainless steel worktop
Finish: satin



**65 cm Mood
for 51 cm depth**
3 gas burners + 1 Flat Eco-Design double ring
(hob length 65 cm)

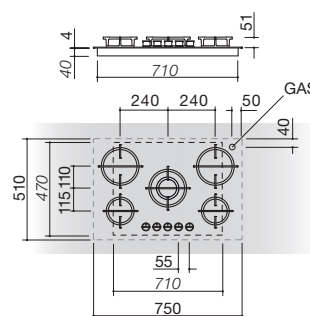


satin

PM64



**75 cm Mood
for 51 cm depth**
4 gas burners + 1 Flat Eco-Design double ring
(hob length 75 cm)

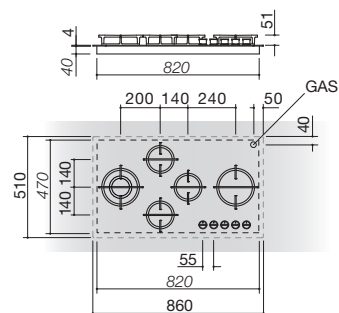


satin

PM75



**90 cm Mood
for 51 cm depth**
4 gas burners + 1 Flat Eco-Design double ring
(hob length 95 cm)



satin

PM95

HOBS FOR MOOD FUSION DEPTH 51 CM

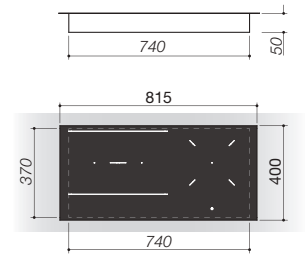
Top cut out and flush installation on
AISI 304 stainless steel worktop
Touch controls



90 cm induction hob for 51 cm depth 3 induction zones

(hob length 81.5 cm)

accessories: 74

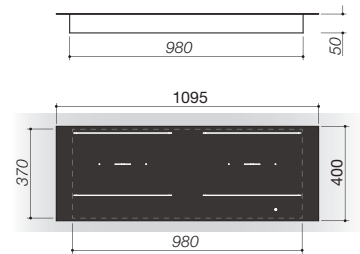


PMID9

120 cm induction hob for 51 cm depth 4 induction zones

(hob length 109.5 cm)

accessories: 74



PMID12

HOBS FOR MOOD FUSION DEPTH 45 CM

Built into AISI 304 stainless steel worktop
Finish: satin

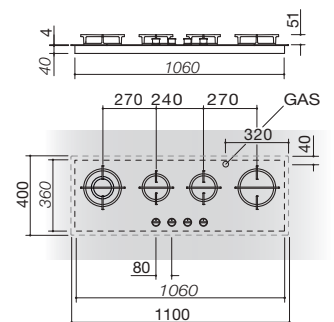


110 cm Mood for 45 cm depth

3 gas burners + 1 Flat Eco-Design double ring

(hob length 110 cm)

satin



PM104

SQUARE BOWLS R. "12" FOR MOOD FUSION DEPTH 51

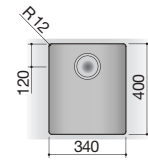
Applied to AISI 304 stainless steel worktops
Bowl finish: satin



Bowl 34x40x20 h for 51 cm depth

accessories: 8 17 20 25 40 43 45 61
62 66 71

equipment:
stainless steel drain cover



satin

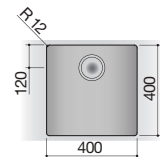
VRM34



Bowl 40x40x20 h for 51 cm depth

accessories: 8 17 20 25 40 43 45 61
62 66 71

equipment:
stainless steel drain cover



satin

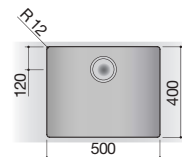
VRM40



Bowl 50x40x20 h for 51 cm depth

accessories: 8 17 20 25 40 43 45 61
62 66 71

equipment:
stainless steel drain cover



satin

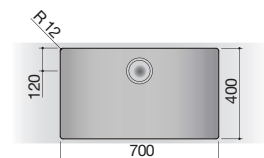
VRM50



Bowl 70x40x20 h for 51 cm depth

accessories: 8 17 20 25 40 43 45 61
62 66 71

equipment:
stainless steel drain cover



satin

VRM70

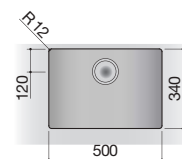
SQUARE BOWLS R. "12" FOR MOOD FUSION DEPTH 45

Applied to AISI 304 stainless steel worktops
Bowl finish: satin



Bowl 50x34x20 h for 45 cm depth

equipment:
stainless steel drain cover



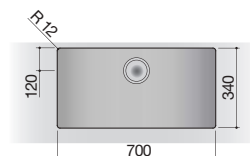
satin

VRM5034



Bowl 70x34x20 h for 45 cm depth

equipment:
stainless steel drain cover



satin

VRM7034

WORKINGS FOR DEPTH 51 CM

Steel worktop less than or equal to 150 cm including working costs LMF1

Stainless steel worktop more than 150 cm up to 190 cm including working costs LMF2

Stainless steel worktop more than 190 cm up to 236 cm including working costs LMF3

Draining board 39.6x39.6 mm GMF1

Two back holes for standard tap and pop-up plug

WORKINGS FOR DEPTH 45 CM

Steel worktop less than or equal to 150 cm including working costs LMF4

Stainless steel worktop more than 150 cm up to 190 cm including working costs LMF5

Stainless steel worktop more than 190 cm up to 236 cm including working costs LMF6

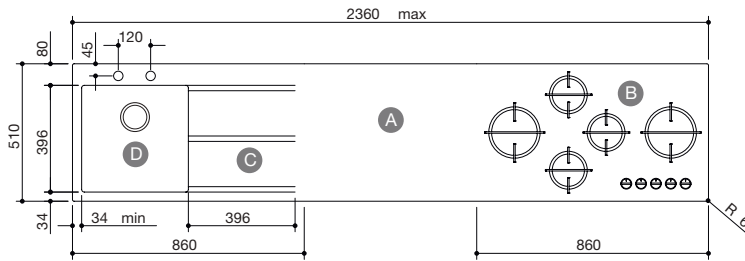
Draining board 33.6x39.6 mm GMF2

Two back holes for standard tap and pop-up plug

MOOD FUSION

price calculation and combination examples

Composition: stainless steel worktop including working costs + selected products

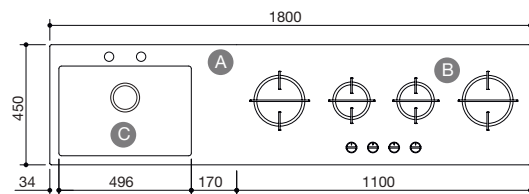


Length 236 cm depth 51 cm

- A** Stainless steel worktop more than 190 cm up to 236 cm including working costs LMF3
- B** 90 cm Mood 4 gas burners + double ring Flat Eco-Design PM95
- C** Supporting surface with grooves 39.6x39.6 cm GMF1
- D** Bowl R. "12", 34x40x20 h VRM34

• 234x49 cm cut out

Total



Length 180 cm depth 45 cm

- A** Stainless steel worktop more than 150 cm up to 190 cm including working costs LMF5
- B** 110 cm Mood 3 gas burners + double ring Flat Eco-Design PM104
- C** Bowl R. "12" 50x34x20 h VRM5034

• 178x43 cm cut out

Total